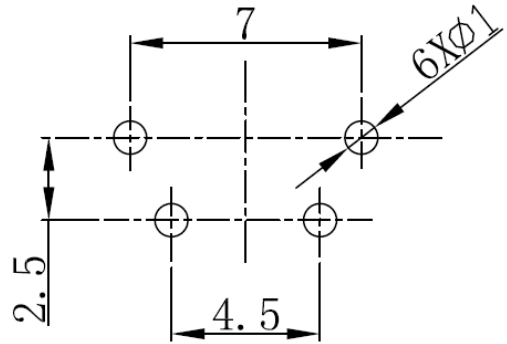


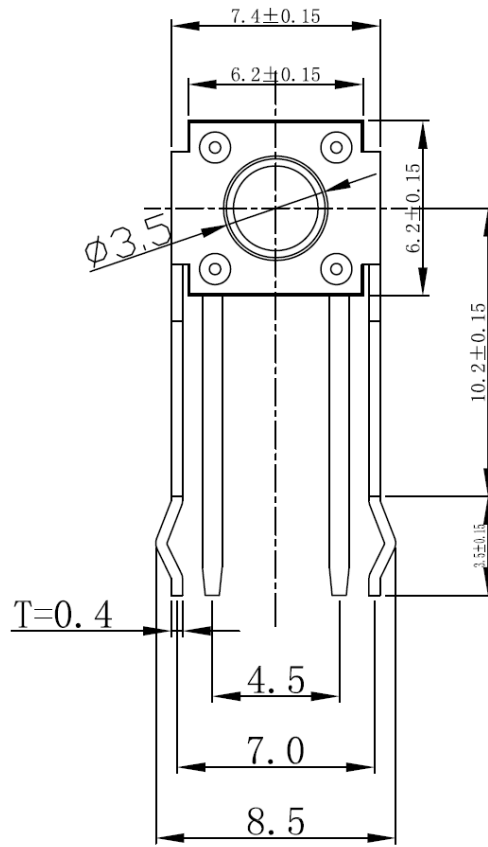
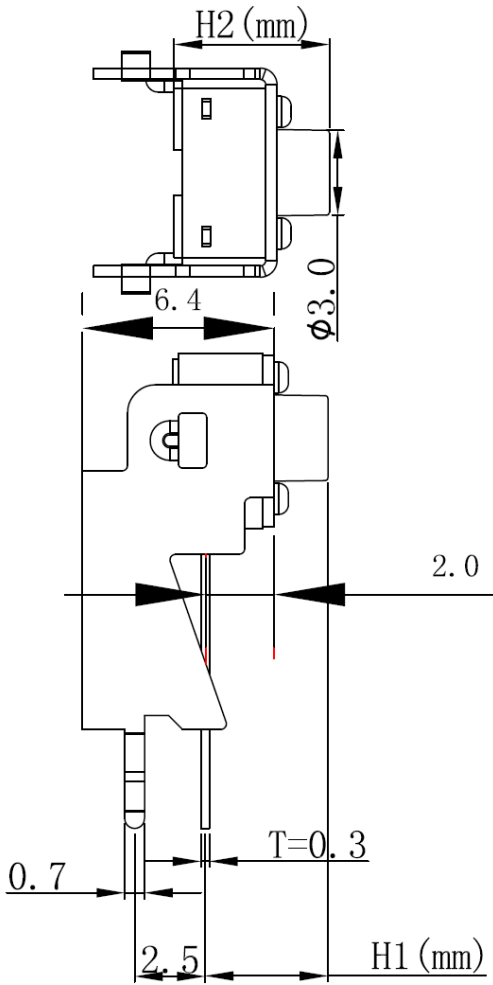


**CIRCUIT**



**P. C. B LAYOUT**

**TOP VIEW**



N	3.35	3.5
M	7.85	3.4
L	6.15	3.4
K	15.85	3.0
J	4.35	3.4
I	11.85	3.0
H	12.85	3.0
G	12.35	3.0
F	6.85	3.4
E	11.35	3.0
D	8.35	3.4
C	5.85	3.4
B	3.85	3.5
A	3.15	3.5
H	mm	ØA

**NOTE:**

1. RATING : DC 12V 50mA
2. TRAVEL : 0.25±0.1 mm
3. OPERATING FORCE :
  - a.160±30gf(N)
  - b.260±50gf(R)
4. CONTACT RESISTANCE : 100mΩ MAX.
5. OPERATING LIFE : 100,000 CYCLES

5	TERMINAL	BRASS	1	Ag plating
4	CASE	PPA	1	Black
3	CONTACT	PHOSPHOR BRONZE	1	Ag Clad
2	KNOB	PPA	1	Black
1	BRACKET	STEEL	1	Sn Plating
NO	PARTS NAME	MATERIAL	Q'TY	FINISHING



銓基電子股份有限公司  
ROKI ELECTRONICS CO., LTD.

PART NAME : TACT SWITCH

SCALE :

PART NO : TS02HB-□□-PF Series

UNIT : mm

TOLERANCE : ±0.3mm



VER : R02